

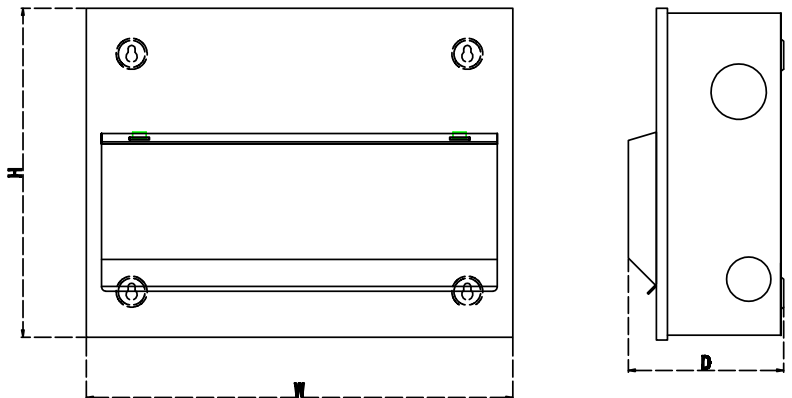


Domestic Consumer Units (18 Edition)



Technical data G6EV40PME

Rated current	40A
Rated voltage	230 V AC
Frequency	50/60 Hz
Rated short-circuit current	6 kA
Main Device	40A RCBO Type A
Additional Devices	PME Fault detection
Operation	207V - 253V (4 seconds)
Degree of protection	IP40
Total number of ways	6
Total Number of free ways	0
Height..mm (H)	235
Width..mm (W)	161
Depth..mm (D)	110
Ambient temperature (C)	-25.....+55
Storage temperature (C)	-35.....+55
Terminals	25mm
Material	Metal
Standard	EN 61439-3
	Compliance with BS 7671
Warranty (Mechanical Components)	5 Years
Warranty (Electronic Components)	2 Years

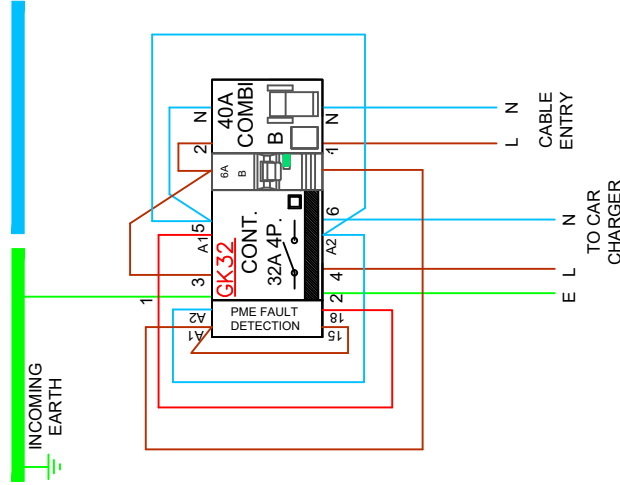
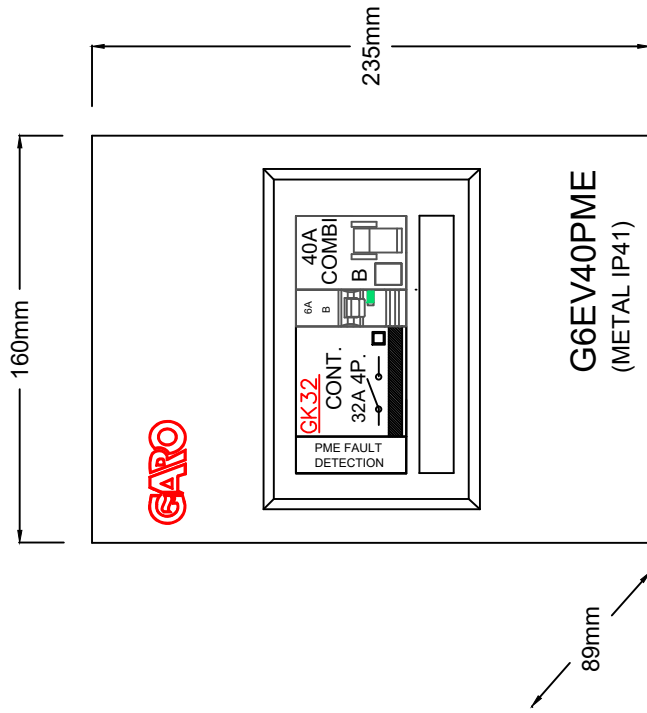


IET BS:7671:2018

722.411.4 TN system (Amendment 1:2020)

(iv) Protection against electric shock in a single-phase installation is provided by a device which electrically disconnects the vehicle from the live conductors of the supply and from protective earth in accordance with Regulation 543.3.3.101 (ii) within 5 s in the event of the utilisation voltage at the charging point, between the line and neutral conductors, being greater than 253 V rms or less than 207 V rms. The device shall provide isolation and be selected in accordance with Table 537.4. Equivalent means of functionality could be included within the charging equipment. Closing or resetting of the device shall be possible only if the voltage between line and neutral conductors is in the range 207 to 253 V rms.

NOTE:
 INCOMING (RCBO)
 TERMINAL 1: PHASE
 TERMINAL N: NEUTRAL
 EARTH BAR: EARTH
 OUTGOING (CONTACTOR)
 TERMINAL 2: EARTH
 TERMINAL 4: PHASE
 TERMINAL 6: NEUTRAL



NO	DESCRIPTION	DATE	NAME	CHECK	APPD

PROJECT	MCU 40Amp Type A RCBO & PME Fault Detection
Unit 19 / 307 Northwest Business park Ballycoolin Dublin 15	
DRAWING No.	G6EV40PME
SHEET	- 1
PROJECT No	



Dokument/document		Utgava datum/edition date
Försäkran om överensstämmelse/ Declaration of conformity		2018-06-14
Avdelning/department		
Kvalite/Quality		
Ansvarig/prepared	Version	Sida/page
Magnus Arvidsson	3	1 av/of 1

Supplier/Tillverkare: *GARO AB*
Box 203
S-335 25 GNOSJO Telephone: *+46 (0)370 33 28 00*
Sweden Telefax: *+46 (0)370 33 28 50*

Supplier established within EU/Ombud etablerad inom EG

Supplier of equipment /Materielslag : Consumer unit/Normcentral

Trade Mark/ Varumärke: GARO

Type Designation / Typbeteckning: G, GS, 4, 6, 8, 10, 12, 14,16,18, 21, 28, 32, EV, S, R, C, PME.

We hereby declare that our product fulfils the requirements of following EC directives/
Vi intygar härmed att vår produkt uppfyller krav enligt följande EU direktiv:

- The Low Voltage Directive (LVD) 2014/35/EU / Lågspänningsdirektivet (LVD) 2014/35/EU.
- Electromagnetic compatibility (EMC) 2004/108/EU / Elektromagnetisk kompatibilitet (EMC) 2004/ 108/EG.
- RoHS Directive (RoHS) 2011/65/EU / RoHS direktivet (RoHS) 2011/65/EG.
- No electromagnetic compatibility (EMC) immunity or emission tests are required on the assembly/
Produkten innehåller inte elektroniska apparater som påverkas enligt förbehållen enligt direktivet
(EMC) 2004/108/EG.

The following harmonised standards (latest edition) or technical specifications which comply with good engineering practice in safety matters in force within the EU have been used in the design: /

Följande harmoniserade standarder (senaste utgåva) eller tekniska specifikationer som uppfyller god säkerhetsteknik praxis inom EG har använts i konstruktionen: SS EN 63439-3

The equipment conforms completely with the above stated harmonised standards or technical specifications. /
Materielen överensstämmer helt med ovan angivna harmoniserade standarder eller tekniska specifikationer.

Or/ Eller

- The equipment confirms only partially with the above stated harmonised standards or technical specifications but complies with good practice in safety matters in force within the EU. /
Materielen överensstämmer endast delvis med ovan angivna harmoniserade standarder eller tekniska specifikationer, men uppfyller god säkerhetsteknik praxis inom EG.

We have product surveillance according to CENELEC's harmonised requirements, documents CCA-201.

Garo AB
Company/Företag

2018-06-14
Date/Datum

Sign/Underskrift

Environmental- and Quality Manager/Kvalitets- och Miljöchef
Position/Befattning

Magnus Arvidsson
Name / Namnförtydligande